

EP600

Home ESS

Generator Installation

Please read this manual thoroughly before use and keep it handy for future reference.

V1.0



Thank You!

Thank you for making BLUETTI a part of your family.

From the very beginning, BLUETTI has tried to stay true to a sustainable future through green energy storage solutions while delivering an exceptional eco-friendly experience for our homes and our world.

That's why BLUETTI makes its presence in 100+ countries and is trusted by millions of customers across the globe.



Copyright © 2024 Shenzhen PowerOak Newener Co., Ltd. All rights reserved.

No part of this document may be reproduced or transmitted in any form or by any means without the prior written consent of Shenzhen PowerOak Newener Co., Ltd.

Notice

BLUETTI's products, services, and features are subject to the agreed-upon terms and conditions during purchase. Please note that some products, services, or features described in this manual may not be available under your purchase contract. Unless otherwise specified in the contract, BLUETTI makes no representations or warranties of any kind, express or implied, with respect to the contents of this manual.

The contents of this manual are subject to change without notice. Please get the latest version from: <https://www.bluettipower.com/pages/user-guides>

If you have any questions or concerns about this manual, please contact BLUETTI support for further assistance.

Shenzhen PowerOak Newener Co., Ltd.

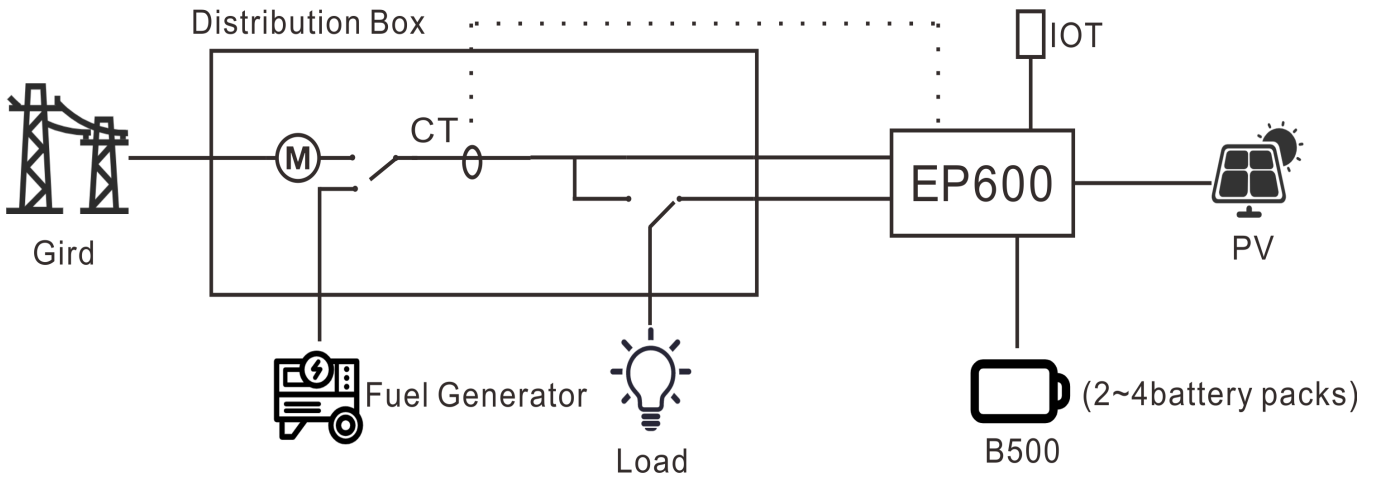
F19, BLD No.1, Kaidaer, Tongsha RD No.168, Xili street, Nanshan, Shenzhen, China

Web: <https://www.bluettipower.com>

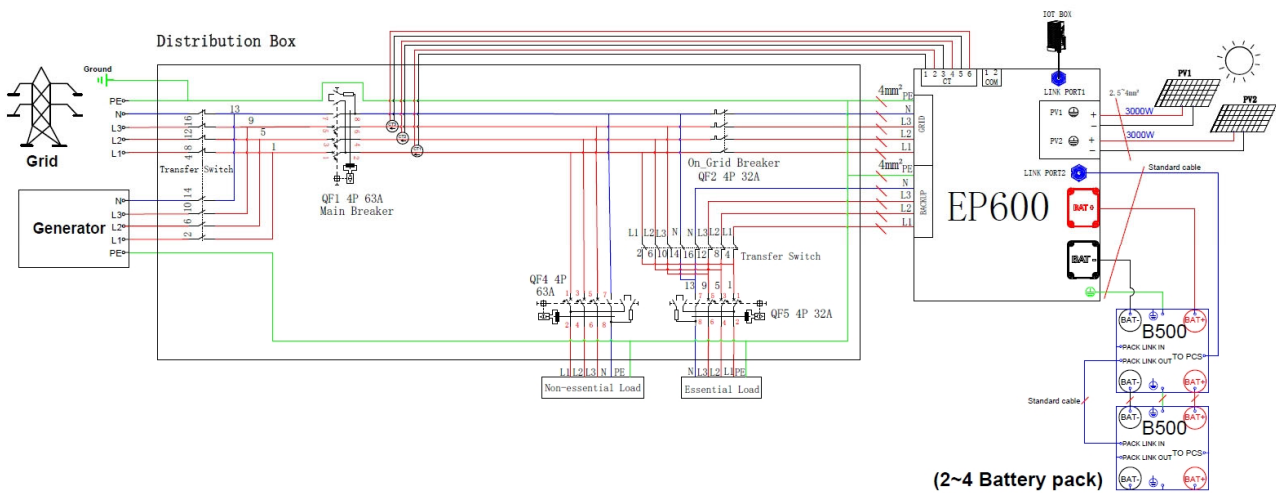
1. Working Principle

Manual Start: Enable the generator in the app, and the system operates as if in Backup mode. While the generator is running, it supplies power to the load and fully charges the system. Upon generator shutdown and transitioning to off-grid mode, the system takes control to supply power to the loads.

Attention: Deactivate the generator in the app when returning to grid power.



2. Electrical Diagram



3. Procedures

Step 1: Wiring

Connect the cables according to the electrical diagrams above.

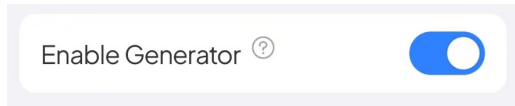
Note: Install a double-throw switch between the grid and the generator.

Step 2: Power On

Press and hold the battery power button to activate the energy storage system. Refer to the product's user manual and related materials for detailed instructions.

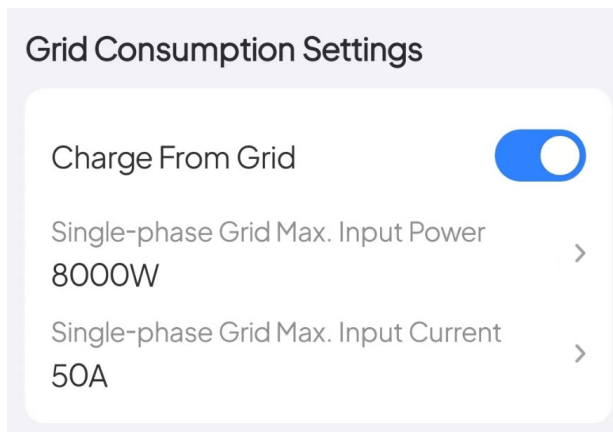
Step 3: Enable Generator

Access the Advanced Settings page in the app and enable the generator. Refer to the product's app user manual for detailed instructions.



Step 4: Configure Grid Input

Access the Advanced Settings page in the app and set the grid input limits. Be sure to set the power and current below 80% of the generator's rating. Refer to the product's app user manual for details.



Step 5: Initiate

Turn on the "System Switch" to enable the generator via the app.

4. Precautions

- Upon grid restoration, it automatically switches to grid power. Disable the generator on the app, or it will default to the generator's charge and discharge strategy.
- Do not use a generator as input source in AC coupled or micro-inverter systems.
- Ensure that the grid input power and current limits stay below 80% of the generator's rated values.
- Use a mutually exclusive switch between the grid and the generator when the grid is available.
- Use only compatible generators.
- At the same time, it can only be connected to the grid or generators.

5. Software Version (minimum required version)

EP600: ARM500421, DSP500320, PBOX904311, BCU102514.